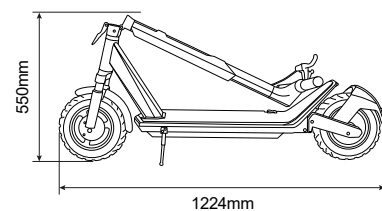
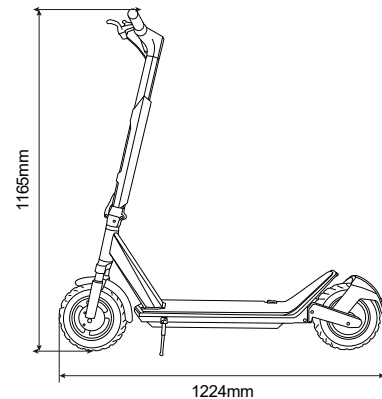




Equipped with turn signal lights

Download the Aprilia Smart Movement User App for a better use of the product



Double suspension



Integrated color LED display



10" Off-Road tyres with air chamber

## Technical specifications

Product SKU: **AP-MO-220001**  
EAN code: **8052679459025**

### Basic Information

Frame	aluminum alloy
Suspensions	front and rear
Speed*	L1: <= 6km/h   L2: <= 20km/h   L3: <= 25km/h (max speed)
Max Gradient**	14%
Brakes	front drum brake and rear electronic brake, KERS
Motor Power	350W, 19.6Nm
Tyres	10" Off-Road with air chamber
Low Voltage Protection	31V +/- 1V
Current Limit	17A
Motor Type	brushless
Max Load	120kg
Riding Requirements	consult the laws and regulations currently in force in your country
Operating Temperature	-5°C / 50°C
IP Rating	IPX4
Charging Time	around 5 hours
Range	up to 35km

### Electric System

Motor	350W Brushless, Peak Power 550W
Brakes	rear electronic brake
Display	integrated color LED
Battery	36V, 10.4Ah, 374Wh
Lights	front, rear and bottom LED lights
Charger	EU Standard DC 2.1, 42V 2.0A
Bluetooth	connection through user app

### Dimensions and Weight

Net Weight	18.5 Kg
Gross Weight	21 Kg
Unit Size (Open)	1215 x 510 x 1185 mm
Unit Size (Folded)	1215 x 540 x 550 mm
Carton Size	1230 x 170 x 600 mm

\* Always respect the highway code and the regulations in force in the country of use.

\*\* Subject to variations based on driver weight, road conditions and temperature.